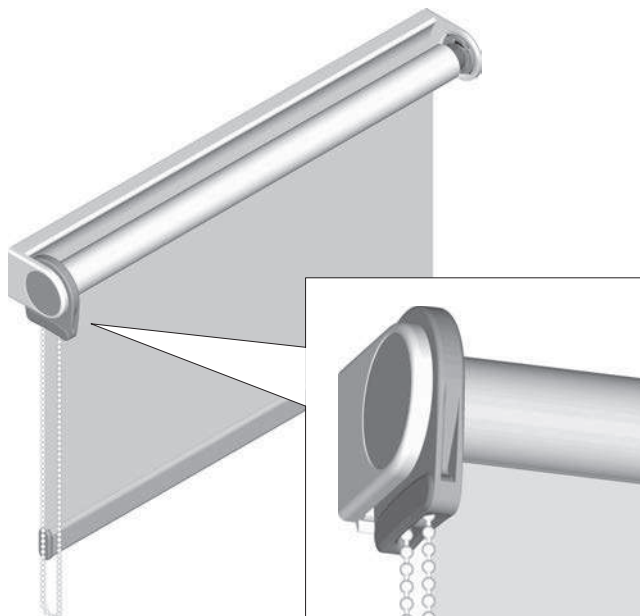


Roller Blind 5-21

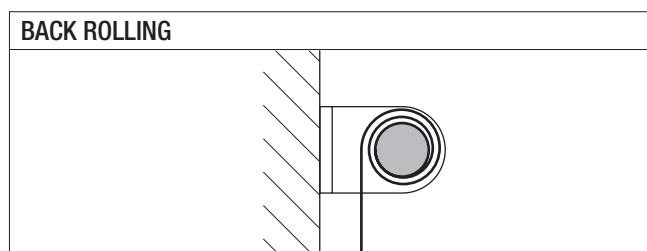
CHAIN OPERATED ROLLER BLIND INSTALLED ON MOUNTING PROFILE M

Description

- Pearl chrome finished die cast design brackets fixed on mounting profile
- Optional powder coated steel brackets in grey, black or white
- Easy installation on mounting clips allowing a more flexible positioning
- Integrated leveling function to limit skewing
- Optional add-on leveler or no leveler
- Patented plastic clutch for quick, easy and safe installation in grey, black or white
- Alternatively a patented, silent, award winning metal designed clutch in pearl chrome finish
- Universal clutch for left or right hand operation
- High tensile stainless steel endless ball chain
- Optional plastic ball chain in grey, black or white
- Spring-loaded end plug for easy maintenance
- Aluminium extruded tubes
- Aluminium extruded bottom rail, natural anodised, black or white
- Optional oval shaped bottom rail
- Back or front rolling
- UV stable parts
- High quality fabric according to technical specifications

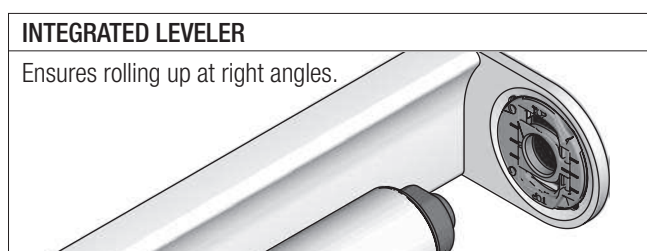


LIGHT GAPS (mm)		
Operation side	20	a
Bearing side	16	b



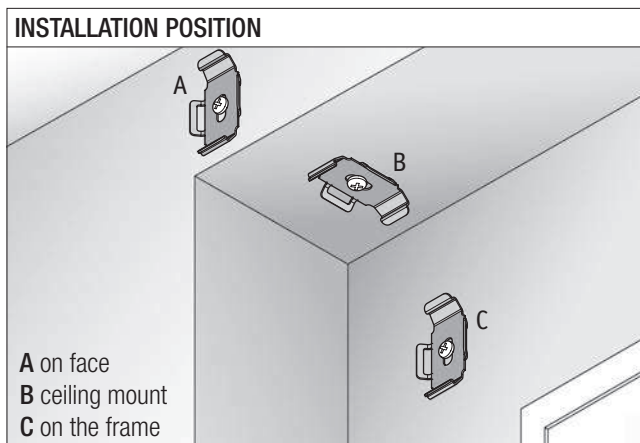
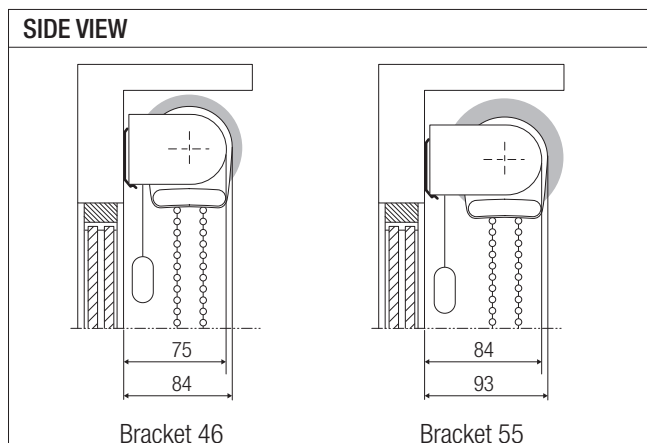
SIZE LIMITATIONS*

Min. width	300 mm
Max. width	3600 mm
Min. height	500 mm
Max. height	4000 mm
Max. surface	single blind; 10 m ² coupled blinds; 13 m ²



MAXIMUM LOAD (KG)* (bottom rail + fabric)

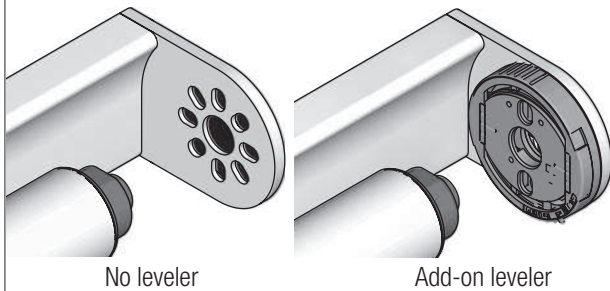
Type clutch	Tube 31	Tube 37	Tube 50
Plastic, gear 1:1 x 1	2.5	-	-
Plastic, gear 1:1 x 2	4.7	4.0	3.0
Plastic, gear 1.75:1	5.8	5.0	3.7
Metal, gear 1:1	5.8	5.0	3.7



OPTIONS Roller Blind 5-21

The technical terms on this page are clarified in the glossary in the back.

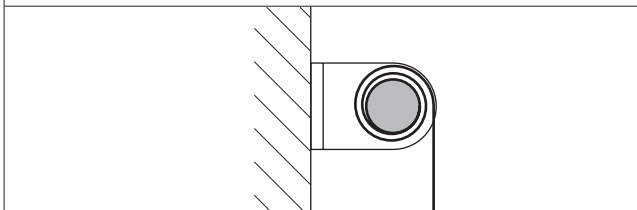
LEVELER



LIGHT GAPS (mm)

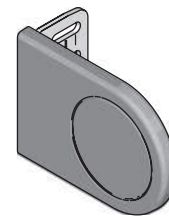
Operation side	20	a
Bearing side		
Integrated leveler (std)	16	b
No leveler	14	b
Add-on leveler	23	b

FRONT ROLLING

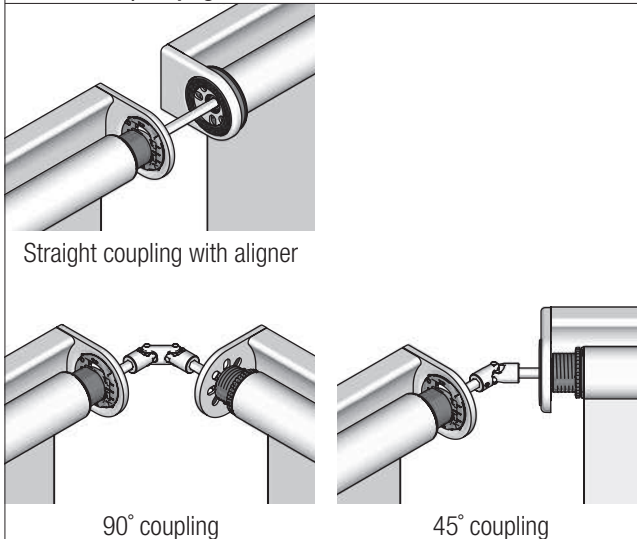


BRACKETS

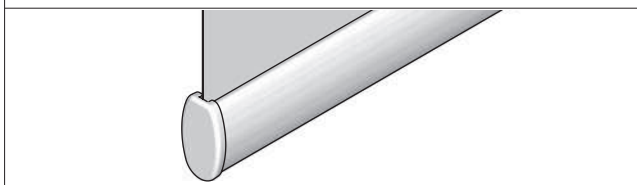
Steel bracket with plastic cover



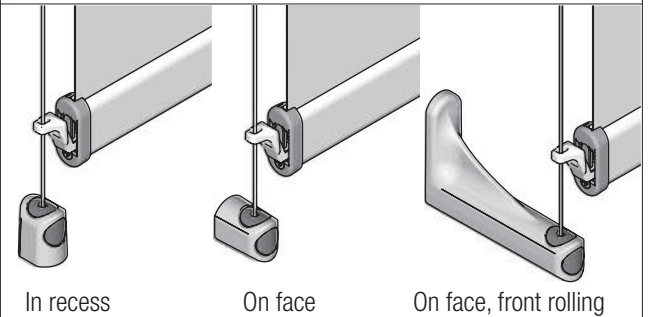
COUPLING (see page 174)



OVAL BOTTOM RAIL



SIDE GUIDING; SPRING TENSIONED CABLE



LIGHT GAPS (mm)

Operation side	20	a
Bearing side		
Integrated leveler (std)	20	b
No leveler	20	b
Add-on leveler	23	b

*Size limitations and maximum load depend on operation type and are further calculated on the basis of a fabric with; weight = 345 gr/m², thickness = 0.44 mm. Maximum deflection of tube 31 = 3 mm, tube 37 = 4 mm, tube 50 = 5 mm.