

Drives with integrated SMI technology SE Plus-SMI



The drive for building automation with bus technology

SMI stands for “Standard Motor Interface” – a manufacturer spanning, consistent interface for building automation. The drives with integrated SMI technology are easy to install and can be included into a variety of bus systems.

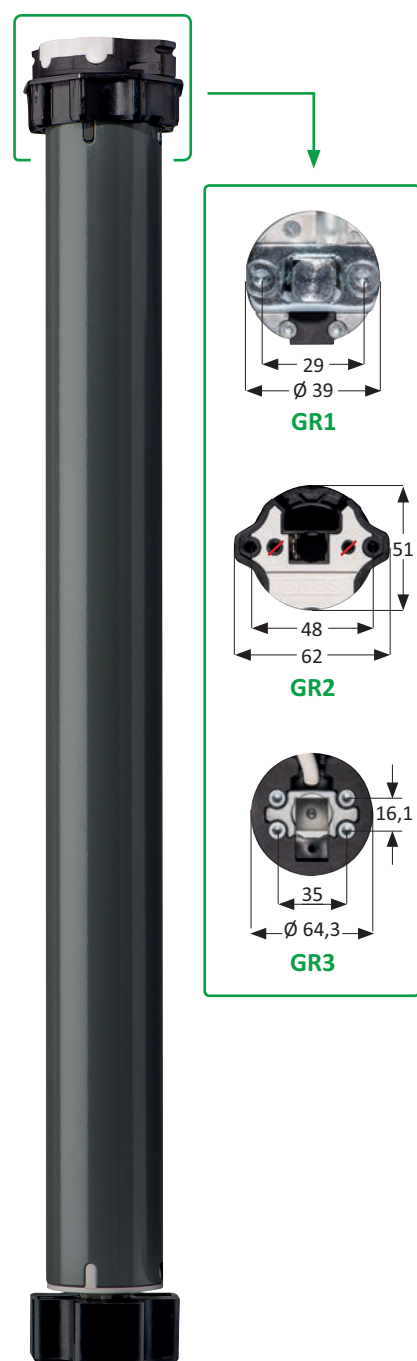
The SMI drives are available in the drive variants SE Plus (see table below), SE Pro and SEZ (on request), therefore they can be used in almost all types of applications.

The parallel connection of up to 16 SMI drives is possible. After setting the end limit positions an automatic rotation detection will occur.

Drives are available in series 1 (from shaft 40 mm), series 2 (from shaft 50 mm) and series 3 (from shaft 70 mm). SMI drives are dispatched without adapters. The adapters and the plug-in connecting cables (5-wire) need to be ordered separately.

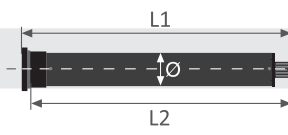
Advantages

- Usable for roller shutters, all types of awnings, (Zip) screens and interior blinds
- Individual drive ID enables the single control at parallel connection
- Feedback of every drive (e.g. position request)
- High precision at the positioning
- Parameter adjustment for the construction optimization or installation (by SMI)
- Several diagnose functions



Technical information of SE Plus-SMI drives*

Type	SE Plus 1/4-SMI	SE Plus 1/7-SMI
Ref.	38 50 10	38 50 11
Torque at rated load Nm	4	7
Effective shutter weight (kg) at shutter height of 1.5 m	10	14
Effective shutter weight (kg) at shutter height of 2.5 m	8	11
Shaft type	SW 40	SW 40
Pulling force N	180	270
Rotation speed rpm	30	20
Power rating W	115	115
Current consumption A	0,5	0,5
Voltage V	230	230
Frequency Hz	50	50
Time of operation min	4	4
Protective system	IP 44	IP 44
Test mark	CE	CE
Limit switch range U	-	-
Outer diameter mm	35	35
Cable length m	3	3
Length L 1 mm	508	508
Length L2 mm	494	494
Length of square fixing pivot mm	12	12



* These information refer to the use in one-piece constructions.

NEW in catalogue NEW in catalogue



Please order adapters and connecting cables separately:

Designation		Article no. crown	Article no. coupling
Adapters for series 2	Octagonal steel shaft 50	28 80 26	28 82 19
	Octagonal steel shaft 60, up to 50 Nm	28 80 20	28 82 25
	Octagonal steel shaft 70	28 80 24	28 83 05
Plug-in cable	5-wire, PVC, white, 2.5 m	29 05 75	
	5-wire, PVC, white, 5.0 m	29 05 78	
	5-wire, PVC, white, 10.0 m	29 05 79	

The entire range of adapters can be found from page 56 onwards. Plug-in connecting cables are only available for series 2! Further plug-in connecting cables can be found on page 82.

SE Plus 1/10- SMI	SE Plus 2/7- SMI	SE Plus 2/10- SMI	SE Plus 2/15- SMI	SE Plus 2/20- SMI	SE Plus 2/30- SMI	SE Plus 2/40- SMI	SE Plus 3/50- SMI	SE Plus 3/70- SMI	SE Plus 3/120- SMI
38 50 13	38 50 20	38 50 40	38 50 50	38 50 60	38 50 70	38 50 80	38 80 13	38 80 23	38 81 43
10	7	10	15	20	30	40	50	70	120
25	19	25	35	45	67	88	99	135	232
20	15	20	29	37	56	72	81	116	200
SW 40	SW 60	SW 60	SW 60	SW 60	SW 60	SW 60	SW 70	SW 70	SW 70
450	220	310	460	610	920	1230	1330	1860	3200
15	17	17	17	17	17	17	17	17	11
115	95	105	152	172	220	345	315	435	435
0,5	0.41	0.45	0.66	0.75	0.95	1,5	1,4	1,9	1,9
230	230	230	230	230	230	230	230	230	230
50	50	50	50	50	50	50	50	50	50
4	4	4	4	4	4	4	4	4	4
IP 44	IP 44	IP 44	IP 44	IP 44	IP 44	IP 44	IP 44	IP 44	IP 44
CE	CE	CE	CE	CE	CE	CE	CE	CE	CE
-	-	-	-	-	-	-	-	-	-
35	45	45	45	45	45	45	58	58	58
3	0	0	0	0	0	0	3	3	3
508	497	497	522	537	557	559	580	610	610
494	481	481	506	521	541	542	560	590	590
12	12	12	12	12	12	12	22	22	22

NEW in catalogue

NEW in catalogue NEW in catalogue NEW in catalogue NEW in catalogue